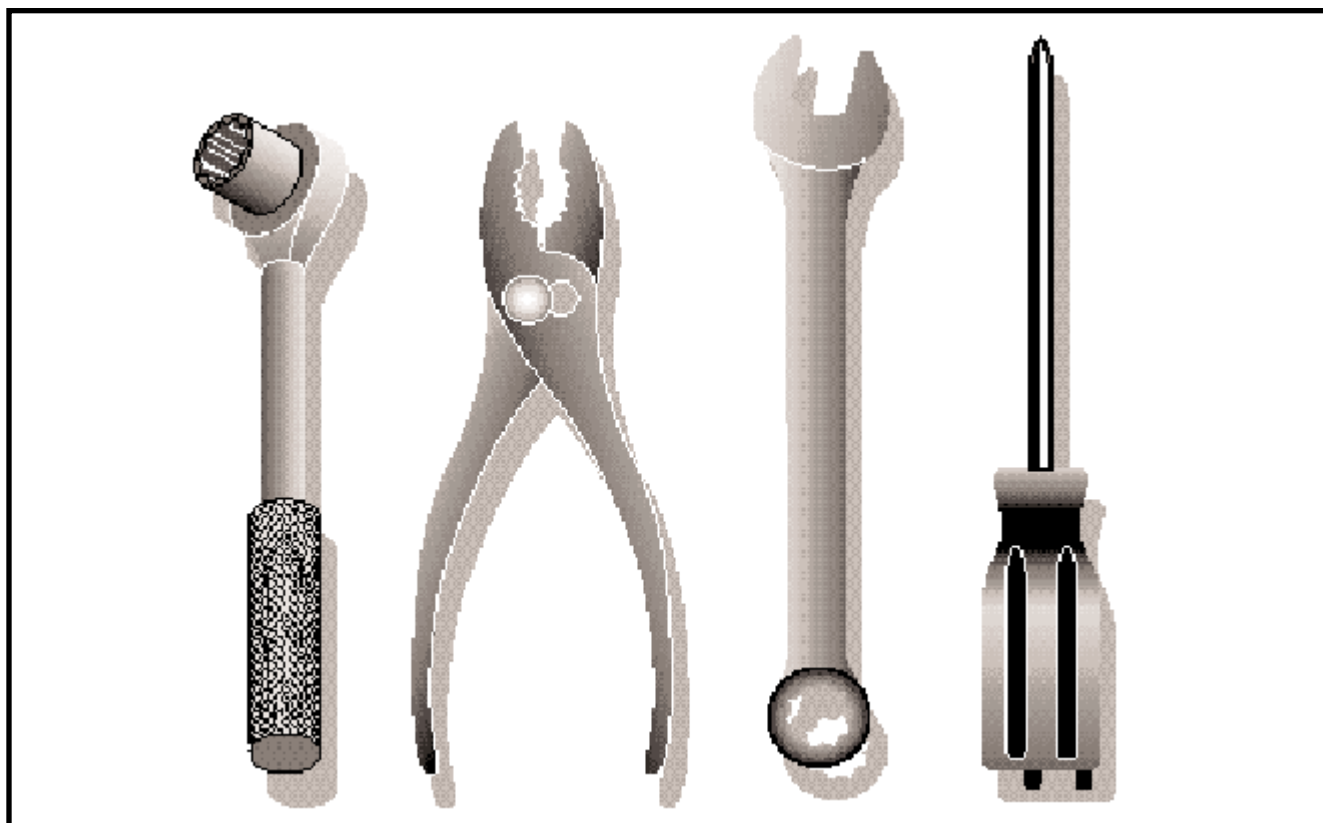


## CRT 81

954001152B



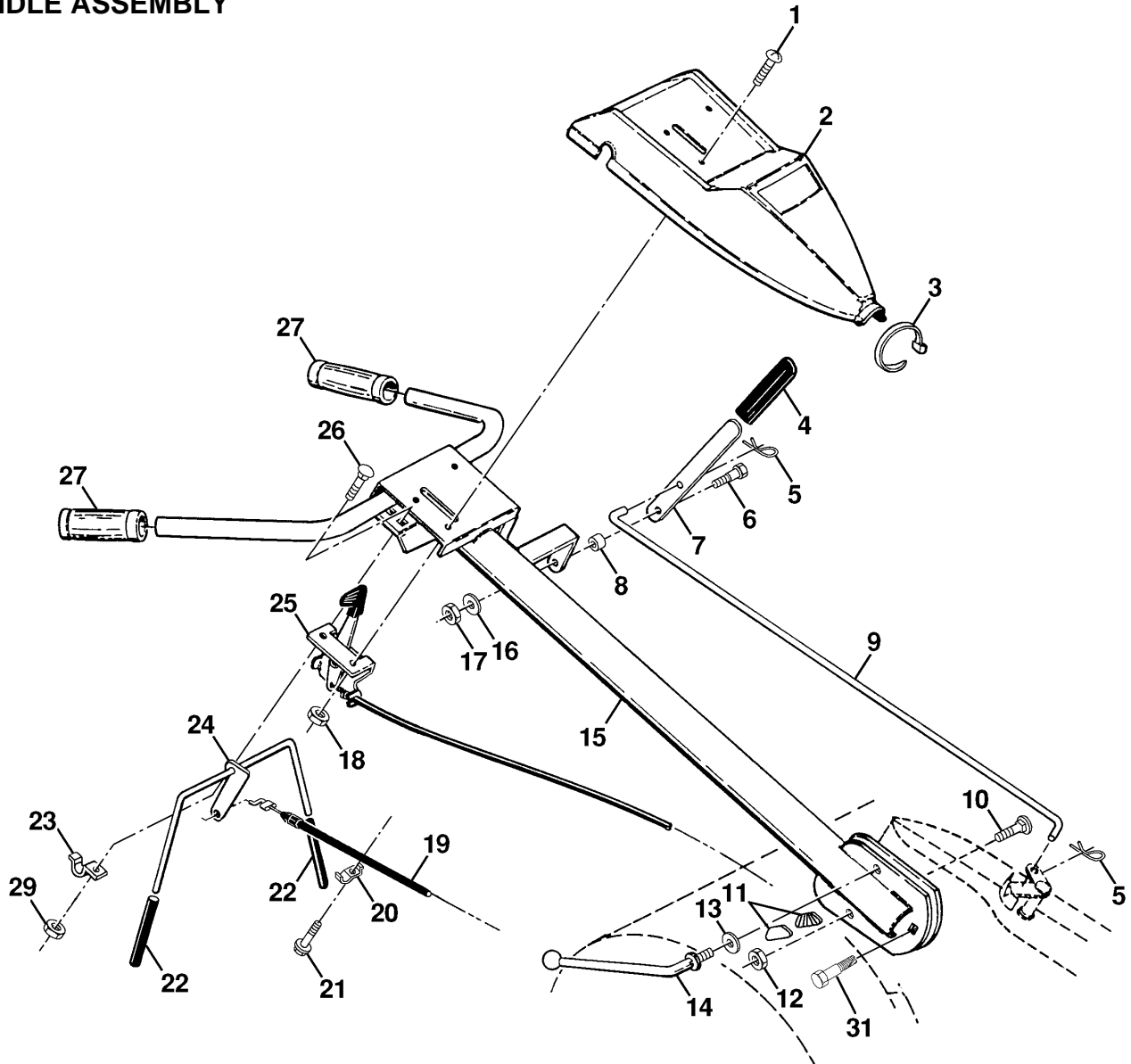
Repair Parts Manual

Tiller

# REPAIR PARTS

TILLER - - MODEL NO. CRT81 (954001152B)

## HANDLE ASSEMBLY



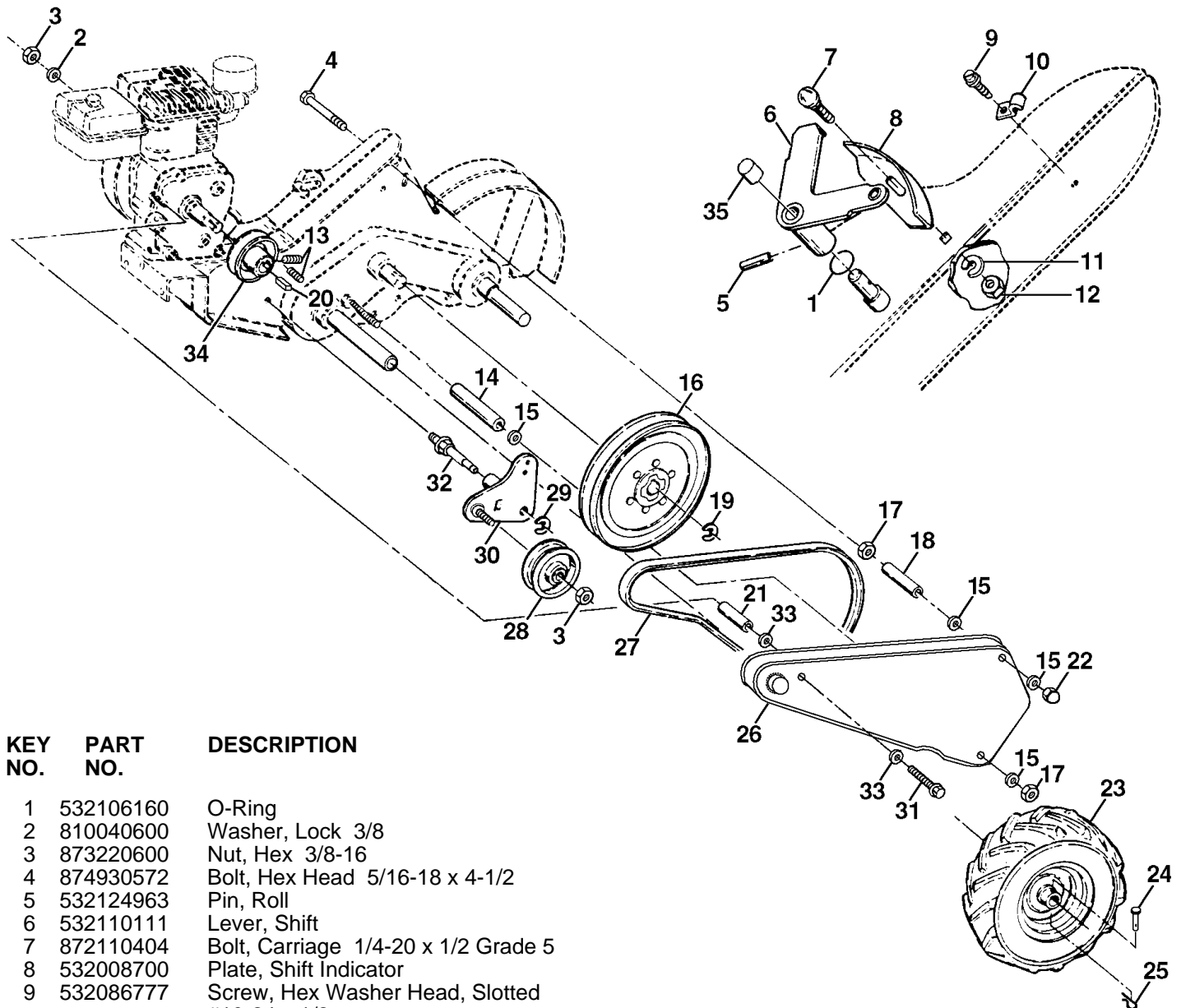
KEY NO.	PART NO.	DESCRIPTION	KEY NO.	PART NO.	DESCRIPTION
1	871191008	Screw, Pan Hd. #10-24 UNC	16	810040400	Washer, Lock 1/4
2	532126956	Panel, Control	17	873220400	Nut, Hex 1/4-20
3	532104164	Tie, Cable	18	873731000	Nut, Keps #10-24 UNC
4	532124797	Grip, Handle	19	532101251	Cable, Clutch
5	532124788	Clip, Hairpin	20	532009484	Clip
6	532081328	Bolt, Shoulder	21	532086777	Screw, Hex Washer Hd. Slotted #10-24 x 1/2
7	532109335	Handle, Shift	22	532102604	Grip, Bar, Control
8	532109313	Grommet, Rubber	23	532102744	Clamp, Bar, Control
9	532138400	Rod, Shift	24	532105216	Bar Assembly, Control
10	872110608	Bolt, Carriage 3/8-16 x 1	25	532138305	Control, Throttle
11	532109229	Lock, Handle	26	872140404	Bolt, Carriage 1/4-20 UNC x 1/2
12	873930600	Nut, Centerlock 3/8-16	27	532009266	Grip, Handle
13	819131611	Washer 13/32 x 1 x 11 Ga.	28	532138283	Lock, Handle
14	532109228	Lever, Lock, Handle	29	532150696	Bolt, Pivot
15	532151596	Handle			

**NOTE:** All component dimensions given in U.S. inches.  
1 inch = 25.4 mm

# REPAIR PARTS B

TILLER - - MODEL NO. CRT81 (954001152B)

## MAINFRAME, LEFT SIDE



KEY NO.	PART NO.	DESCRIPTION
1	532106160	O-Ring
2	810040600	Washer, Lock 3/8
3	873220600	Nut, Hex 3/8-16
4	874930572	Bolt, Hex Head 5/16-18 x 4-1/2
5	532124963	Pin, Roll
6	532110111	Lever, Shift
7	872110404	Bolt, Carriage 1/4-20 x 1/2 Grade 5
8	532008700	Plate, Shift Indicator
9	532086777	Screw, Hex Washer Head, Slotted #10-24 x 1/2
10	532009484	Clip
11	810040400	Washer, Lock 1/4
12	873220400	Nut, Hex 1/4-20
13	823230506	Screw, Set, Hex 5/16-18 x 3/8
14	532008382	Spacer, Split
15	819111116	Washer 11/32 x 11/16 x 16 Gauge
16	532145102	Sheave, Transmission
17	873220500	Nut, Hex 5/16-18
18	532008381	Spacer
19	812000028	Ring, Retainer
20	532004914	Key, Square
21	532139155	Spacer, Split .523 x .718 x 2
22	532104214	Nut, Cap 5/16-18
23	532005015	Tire
	532124366	Rim
	532124718	Tire Valve
24	532004929	Rivet, Drilled

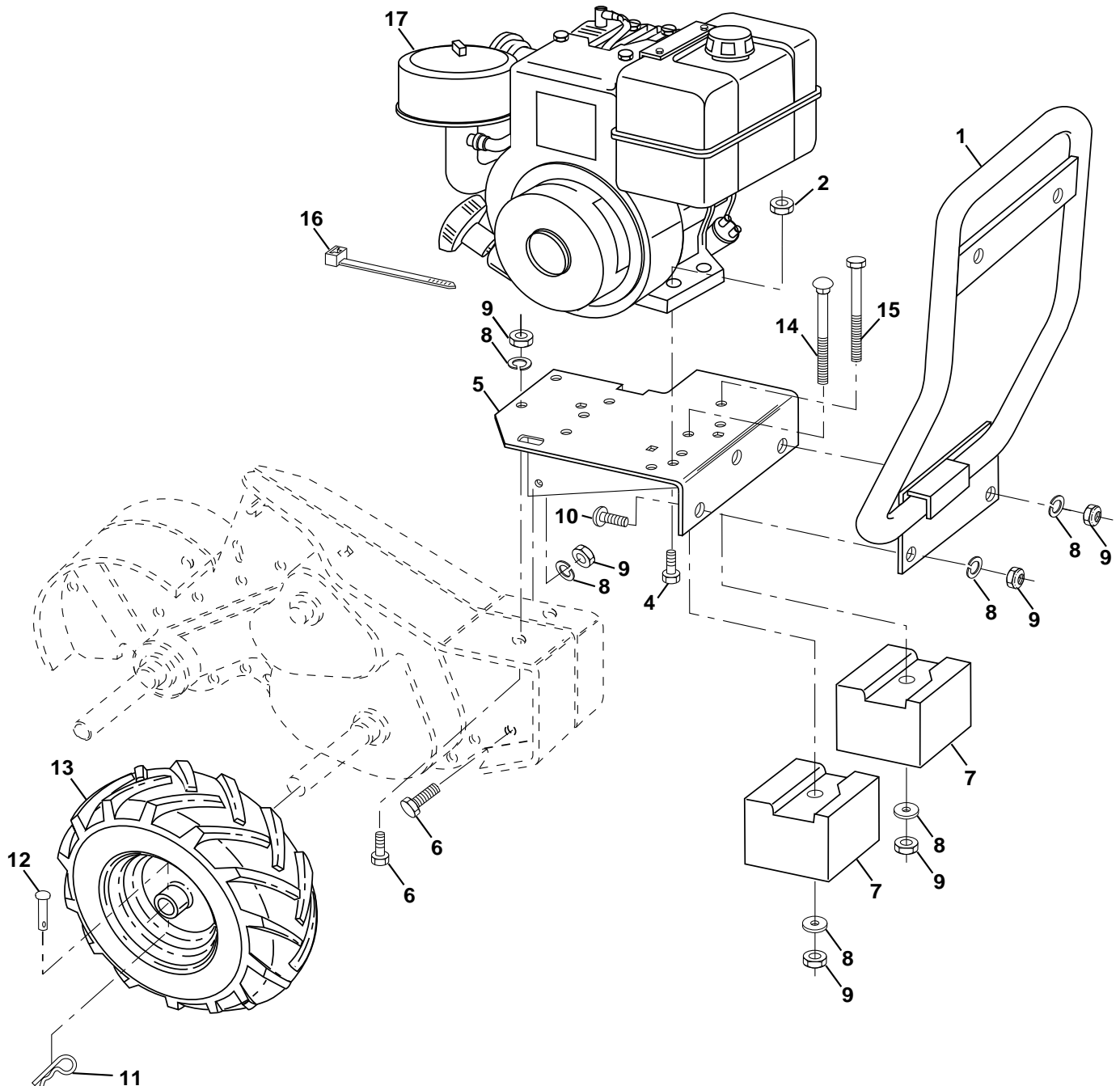
KEY NO.	PART NO.	DESCRIPTION
25	532124961	Clip, Hairpin
26	532145518	Guard, Belt
27	532138399	V-Belt
28	532104680	Pulley, Idler
29	812000032	Ring, Klip
30	532105611	Bracket, Idler
31	874770844	Bolt, Hex Head 1/2-20 x 2-3/4
32	532139401	Shaft, Idler Arm
33	819171616	Washer
34	532004368	Sheave, Engine
35	532140062	Cap, Plunger

**NOTE:** All component dimensions given in U.S. inches.  
1 inch = 25.4 mm

# REPAIR PARTS

## TILLER - - MODEL NO. CRT81 (954001152B)

### MAINFRAME, RIGHT SIDE



KEY NO.	PART NO.	DESCRIPTION
1	532138402	Bumper
2	873510500	Nut, Keps 5/16-18
4	874760528	Bolt, Hex 5/16-18 x 1-3/4
5	532138669	Bracket, Engine
6	874760616	Bolt, Hex Head 3/8-16 x 1
7	532008450	Counter Weight, R.H.
8	810040600	Washer, Lock 3/8
9	873220600	Nut, Hex 3/8-16
10	872140608	Bolt, Carriage 3/8-16 x 1
11	532124961	Clip, Hairpin
12	532004929	Rivet, Drilled

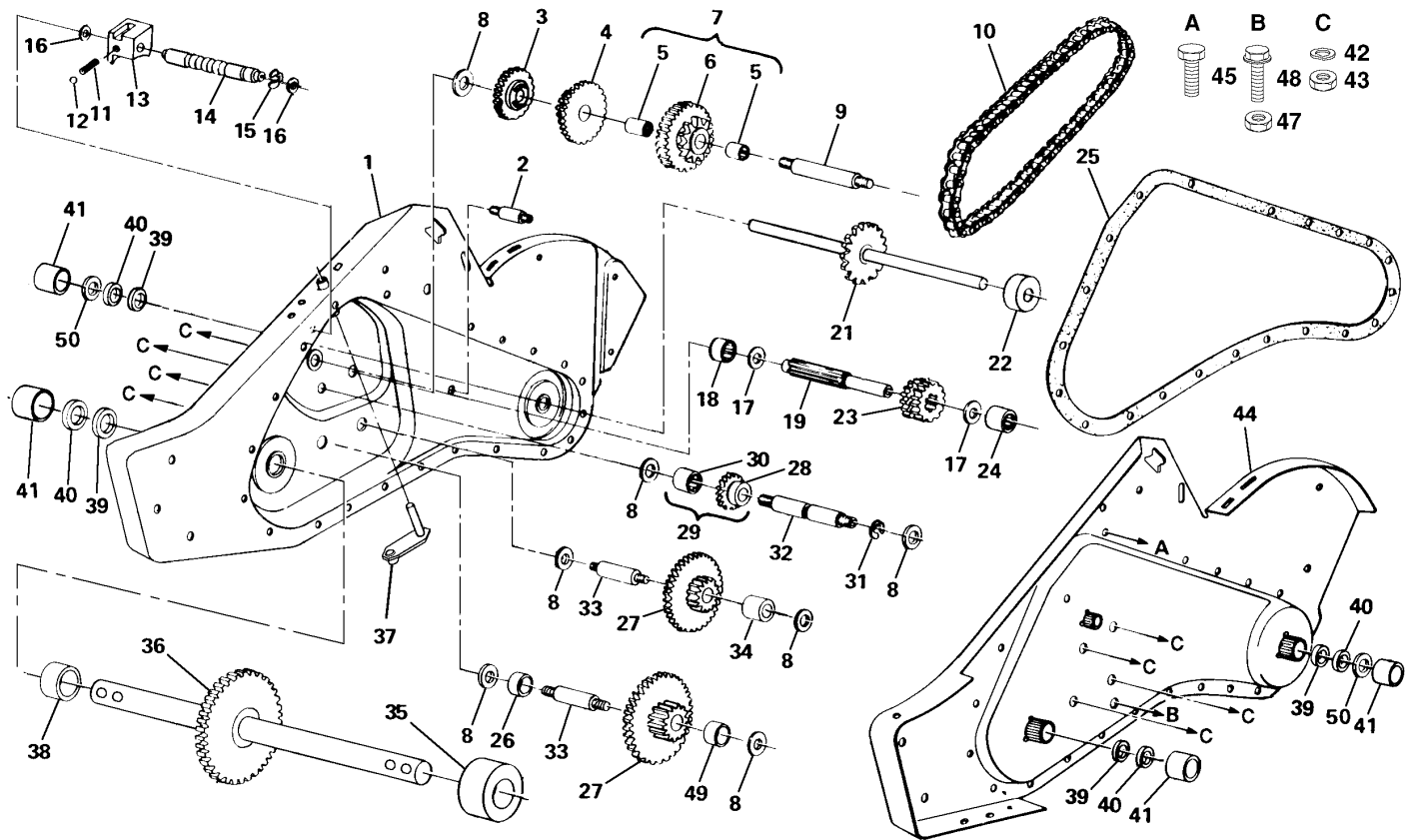
KEY NO.	PART NO.	DESCRIPTION
13	532005015	Tire
	532124366	Rim
	532124718	Tire Valve
14	872470636	Bolt, Carriage 3/8-16 x 4-1/2
15	874760672	Bolt, Hex Head 3/8-16 x 4-1/2
16	532104164	Tie, Cable
17	-----	Engine, Briggs & Stratton Model No. 190402

**NOTE:** All component dimensions given in U.S. inches.  
1 inch = 25.4 mm

# REPAIR PARTS

## TILLER - - MODEL NO. CRT81 (954001152B)

### TRANSMISSION



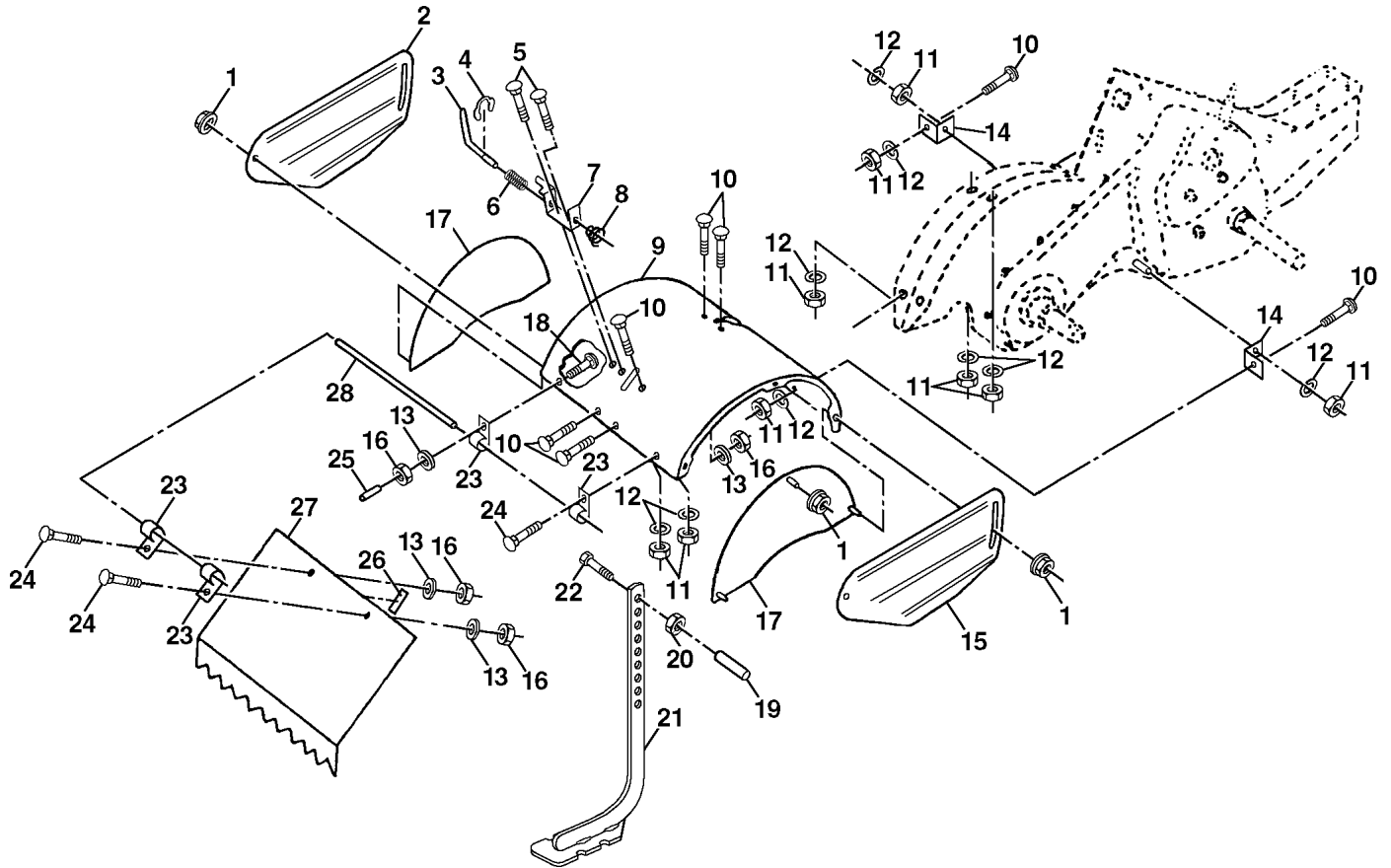
KEY NO.	PART NO.	DESCRIPTION	KEY NO.	PART NO.	DESCRIPTION
--	532150674	Transmission Assembly	28	532008357	Gear, Reverse Idler
1	532150430	Gearcase Assembly, R.H., with Bearing (Includes Key No. 18)	29	532144562	Gear Assembly, Reverse Idler (Includes Key Numbers 28 and 30)
2	532008370	Bolt, Upset	30	532006803	Bearing, Needle
3	532008547	Gear, Reverse	31	812000040	Klip Ring
4	532008546	Gear, Cluster, Red., 1st and 2nd	32	532008356	Shaft, Reverse Idler
5	532100413	Bearing, Needle	33	532100016	Shaft, Reduction, 2nd
6	532144564	Sprocket Assembly, Tine	34	532106392	Spacer .765 I.D. x 1-1/8 x 1-3/8
7	532144563	Sprocket Assembly with Bearings (Includes Key #6 & two of Key #5)	35	532106394	Spacer, Ground Drive, L.H.
8	532004358	Washer	36	532100436	Shaft Assembly, Ground
9	532008358	Shaft, Reduction, 1st	37	532142145	Arm Assembly, Shift
10	532008371	Chain, Roller, 60P	38	532106393	Spacer, Ground Drive, R.H.
11	532100371	Spring, Shift, Fork	39	532124698	Seal, Oil
12	532124697	Ball, Steel	40	532140576	Seal, Ring, Rubber
13	532008353	Fork, Shift	41	532009672	Cup, Formed
14	532008354	Shaft, Shift	42	810040700	Washer, Lock 7/16
15	812000039	Klip Ring	43	873610700	Nut, Hex 7/16-20
16	532102136X	Washer, Seal	44	532150417	Gearcase Assembly, L.H., with Bearing (Includes Key Number 24)
17	532001370	Race, Bearing, Thrust, 5/8 I.D.	45	817720510	Screw, Thd Cut 5/16-18 x 5/8
18	532124792	Bearing, Needle	47	873220500	Nut, Hex Head 5/16-18
19	532150695	Shaft, Input	48	532100107	Screw, Whiz-Lock 5/16-18 x 4
21	532105378	Shaft Assembly, Tine	49	532106391	Spacer .765 I.D. x 1.12 x 3/4
22	532106181	Spacer 1.008 x 1-3/4 x .645	50	532102144	Ring, Spiral
23	532008359	Pinion, Input	--	532006066	Grease, Plastilub Number 1
24	532005020	Bearing, Needle			
25	532008372	Gasket, Gearcase			
26	532106389	Spacer .765 I.D. x 1.12 x 5/8			
27	532100433	Gear, Cluster, Red., 2nd and 3rd			

**NOTE:** All component dimensions given in U.S. inches  
1 inch = 25.4 mm

# REPAIR PARTS

TILLER - - MODEL NO. CRT81 (954001152B)

## TINE SHIELD



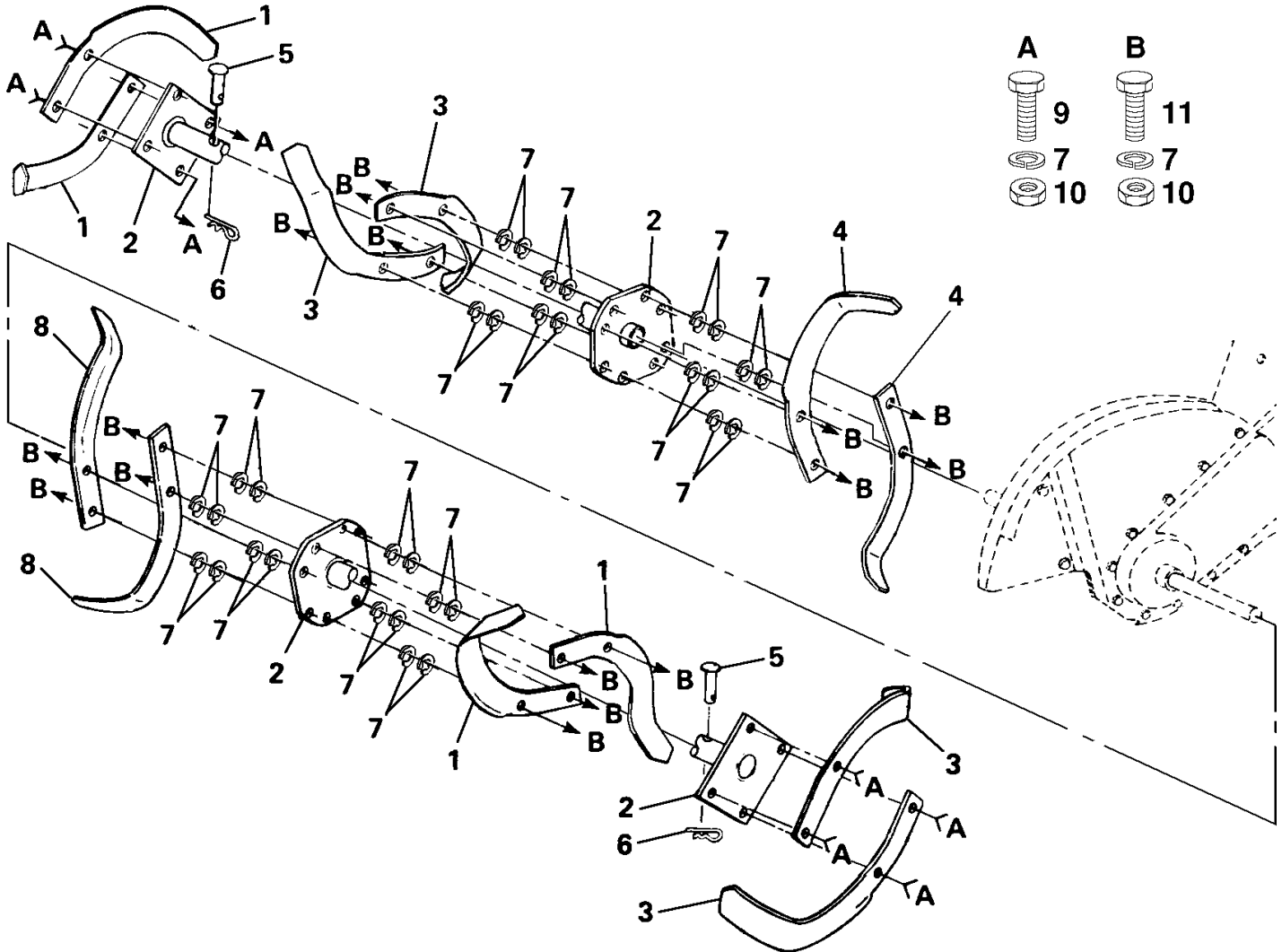
KEY NO.	PART NO.	DESCRIPTION	KEY NO.	PART NO.	DESCRIPTION
1	898000129	Nut, Flange 5/16-18	16	873220400	Nut, Fin, Hex, 1/4-20
2	532145522	Shield, Side, Outer, L.H.	17	532145521	Shield, Side
3	532008393	Pin, Depth Stake	18	872040410	Bolt, Carriage 1/4-20 x 1-1/4 Gr. 5
4	812000036	Ring, Klip	19	532102701	Grip
5	872140508	Bolt, Carriage 5/16-18 x 1	20	873220600	Nut, Hex 3/8-16
6	532008394	Spring	21	532138420	Stake, Depth
7	532008392	Bracket, Latch	22	874930632	Bolt, Hex 3/8-16 x 2
8	532109230	Spring, Depth Stake	23	532004440	Hinge
9	532145519	Shield, Tine	24	872140408	Bolt, Carriage 1/4-20 x 1/2 Gr. 5
10	872140506	Bolt, Carriage 5/16-18 x 3/4 Gr. 5	25	532124717	Cap, Vinyl
11	873220500	Nut, Hex 5/16-18	26	532109227	Pad, Idler
12	810040500	Washer, Lock 5/16	27	532145520	Shield, Leveling
13	810040400	Washer, Lock 1/4	28	532138609	Pin, Hinge
14	532008386	Bracket, Shield Tine			
15	532145523	Shield, Side, Outer R.H.			

**NOTE:** All component dimensions given in U.S. inches.  
1 inch = 25.4 mm

# REPAIR PARTS

TILLER - - MODEL NO. CRT81 (954001152B)

## TINE ASSEMBLY



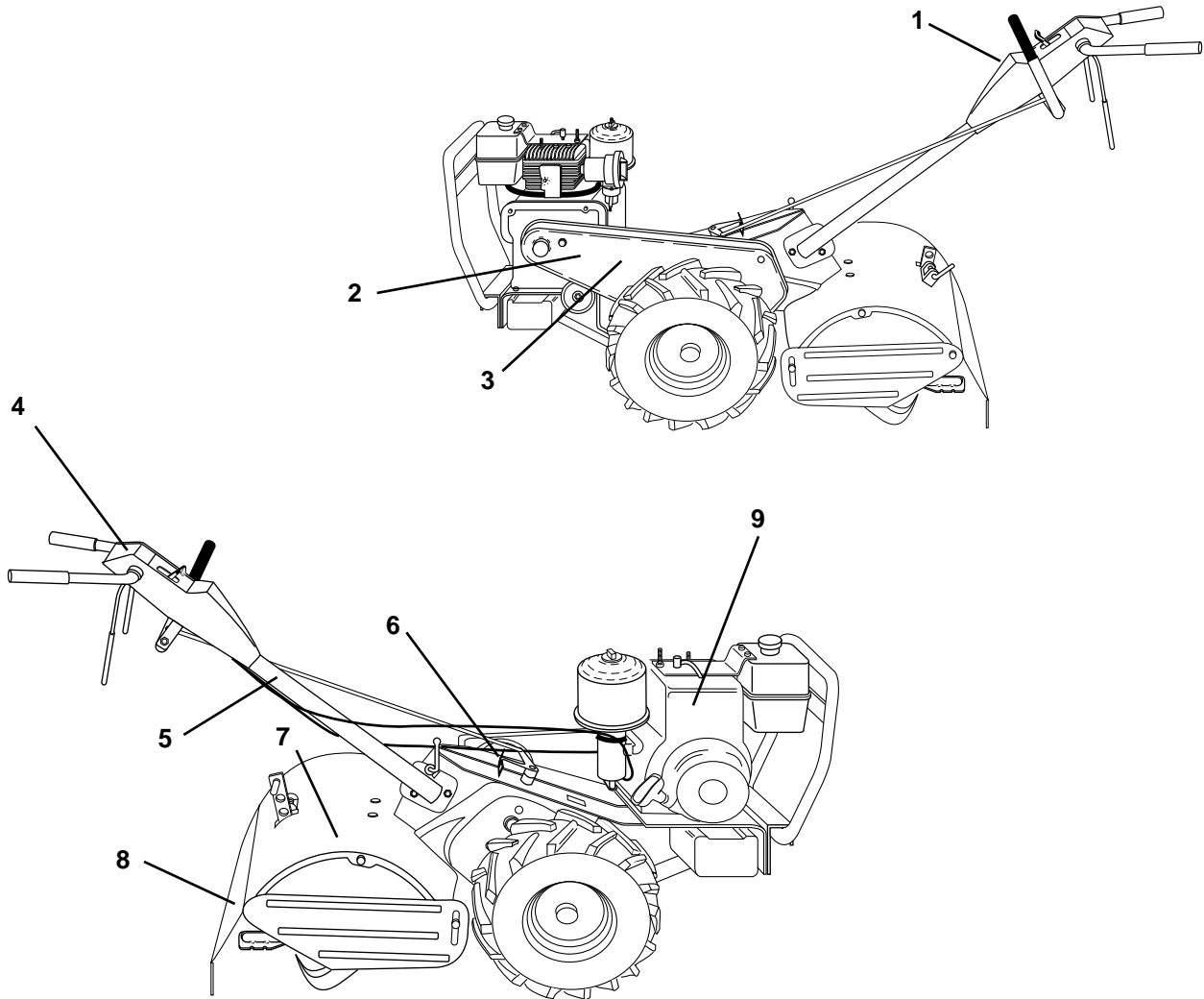
KEY NO.	PART NO.	DESCRIPTION
1	532006556	Tine, L.H., 14"
2	532100445	Hub Assembly
3	532006557	Tine, R.H., 14"
4	532101194	Tine, L.H., 14"
5	532004929	Rivet, Panhead
6	532124660	Clip, Hairpin
7	810040600	Washer, Lock 3/8
8	532101193	Tine, R.H., 14"
9	874610616	Bolt, Hex Head 3/8-24 x 1
10	873610600	Nut, Hex 3/8-24
11	874610624	Bolt, Hex Head 3/8-24 x 1-1/2

**NOTE:** All component dimensions given in U.S. inches.  
1 inch = 25.4 mm

# REPAIR PARTS

TILLER - - MODEL NO. CRT81 (954001152B)

## DECALS



KEY NO.	PART NO.	DESCRIPTION
1	532150881	Decal, Logo
2	532150884	Decal, Logo
3	532150321	Decal, Nameplate
4	532139385	Decal, Instruction, Tilling
5	532110614	Decal, Hand Placement
6	532139044	Decal, Shift Indicator
7	532110612	Decal, Caution
8	532120076	Decal, Warning, Rotating Tines
9	532271636	Decal, Briggs & Statton
--	532151528	Manual, Owner's(English)
--	532151529	Manual, Owner's(French)